

19. Assembly the Exoskeleton

T teslarcs.com/assembly-manuals/cybertruck/14-19-build-the-exoskeleton/19-assembly-the-exoskeleton/



Difficulty

Moderate



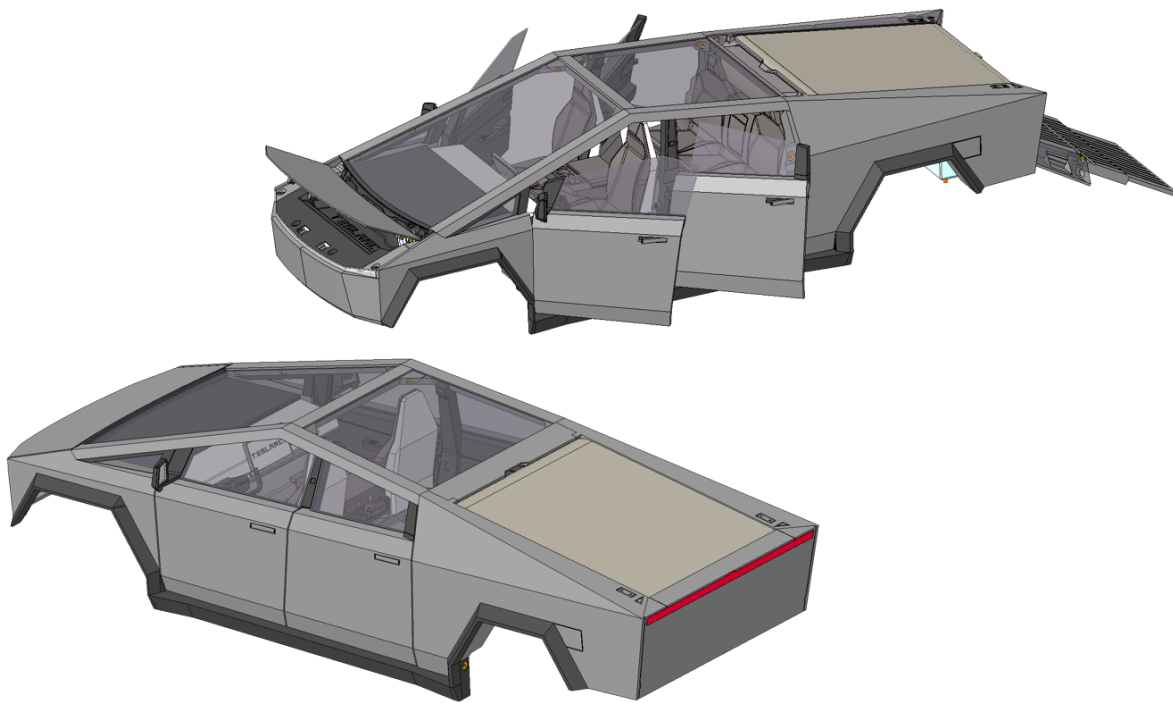
Steps

9



Get entire manual as PDF

Downloading soon



In this Chapter we will assembly the 14.-18. sub assemblies.

Step 1: Front and Roof

For the following step, please prepare:

● EXOSKELETON FRONT (1x)

● EXOSKELETON ROOF (1x)

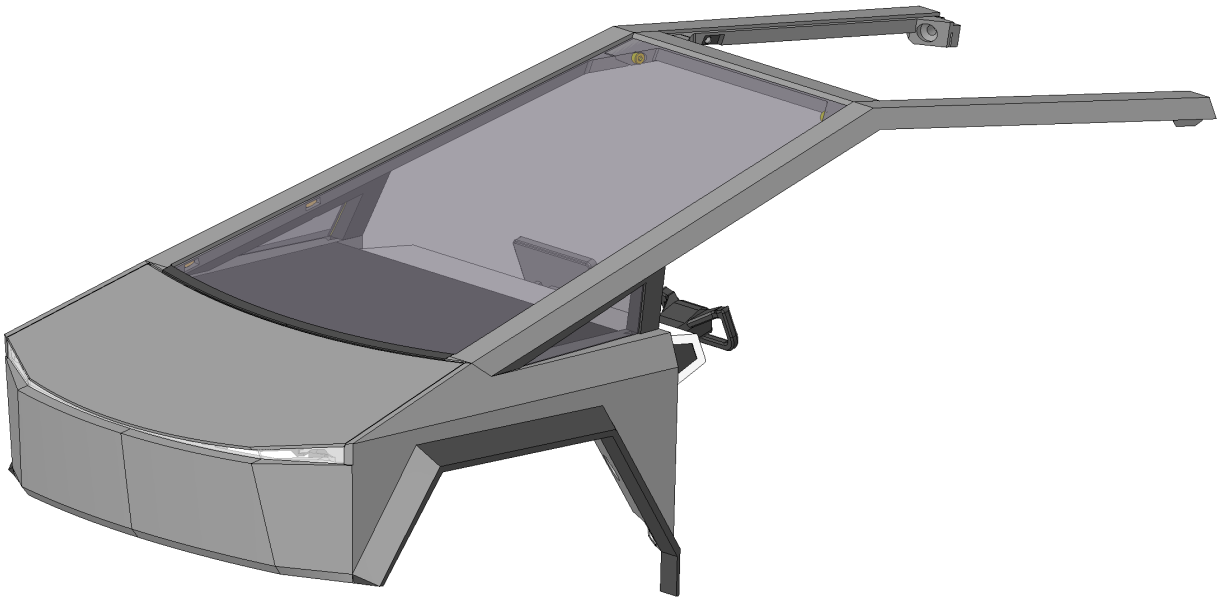
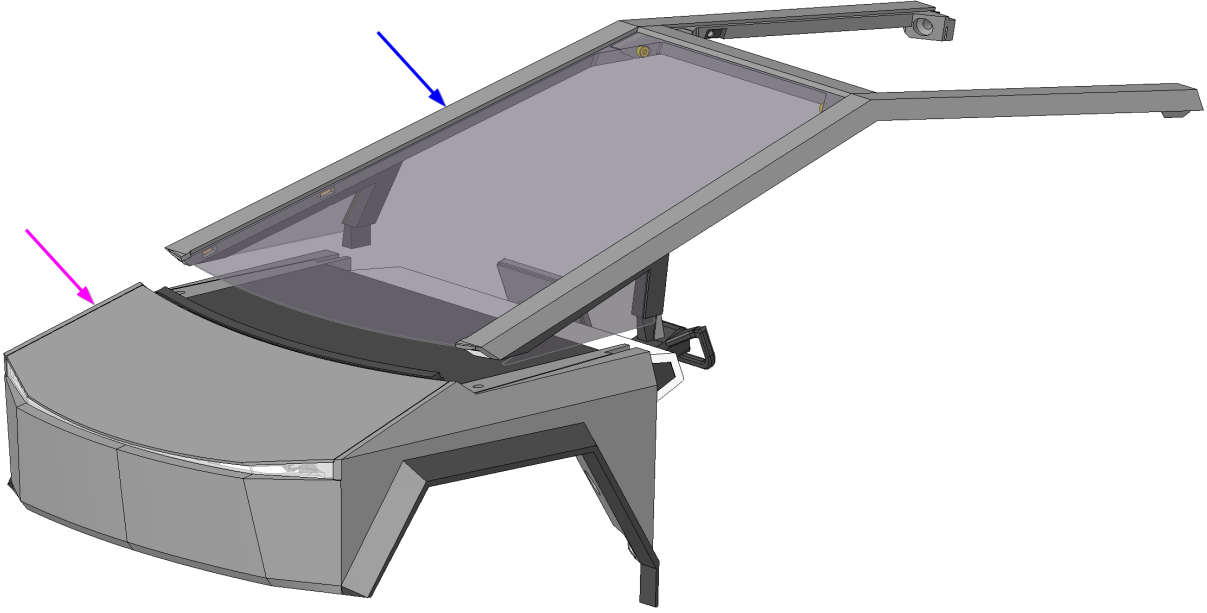
● M3x10 Screw (2x)

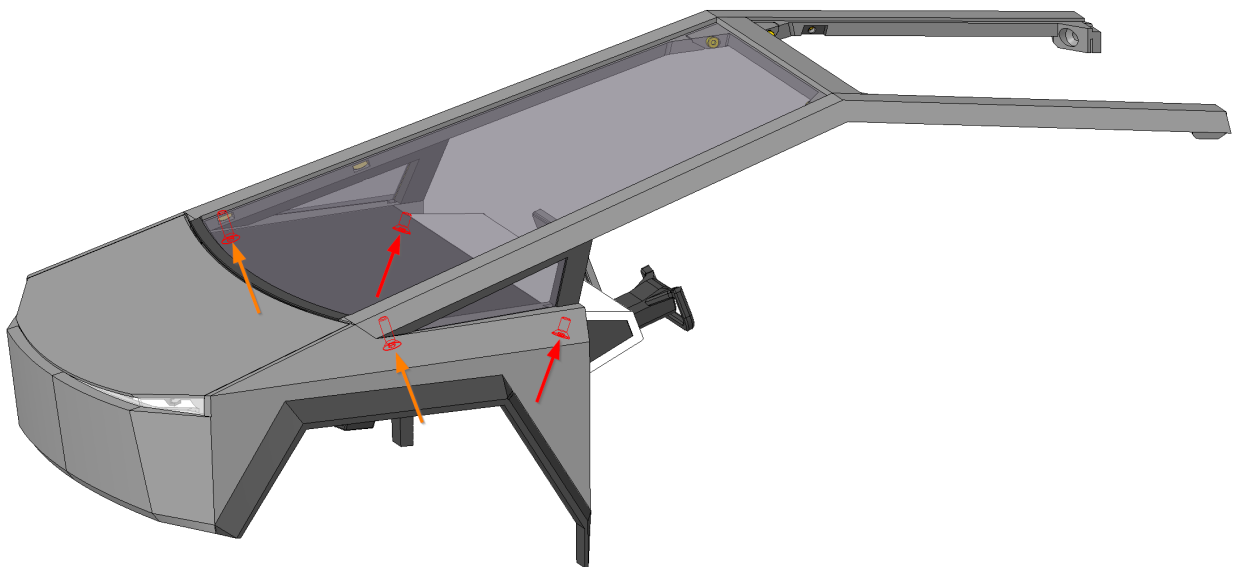
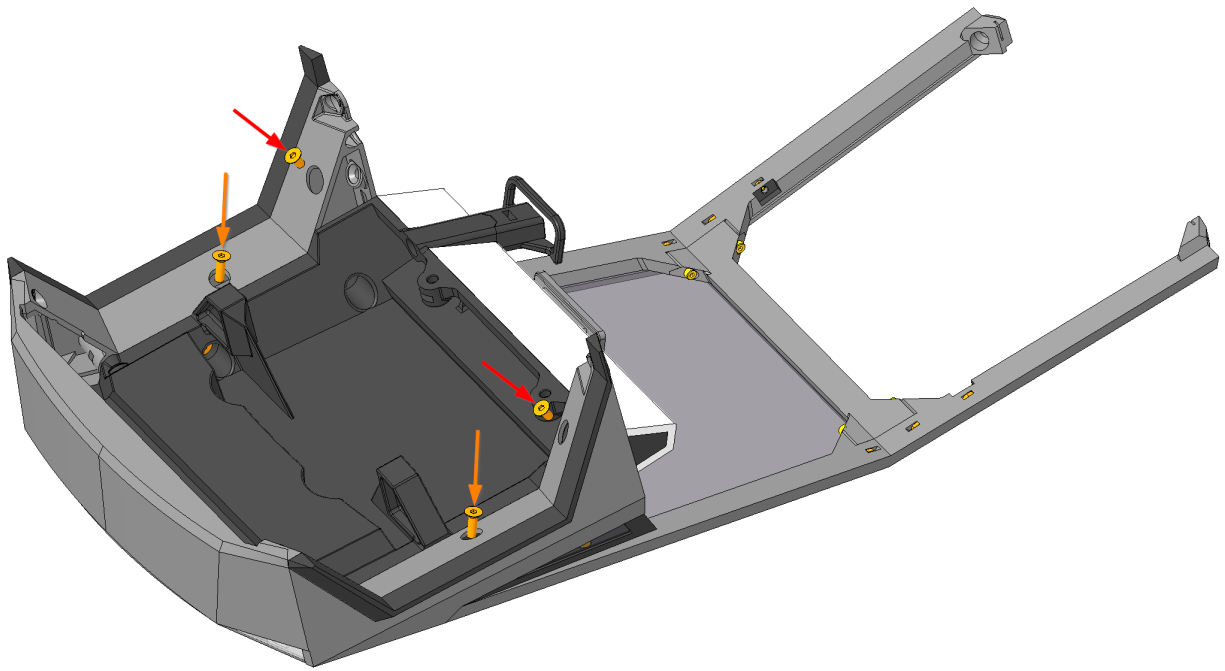
● M3x6 Screw (2x)

Sub-Steps:

● Press in the D3x22 Shaft in the “EX_FOLDING_SEAT” (●)

Make sure you press the Shaft until the end, final position.





Step 2: Front and Middle

For the following step, please prepare:

- EXOSKELETON FRONT (1x)
 - EXOSKELETON MIDDLE (1x)

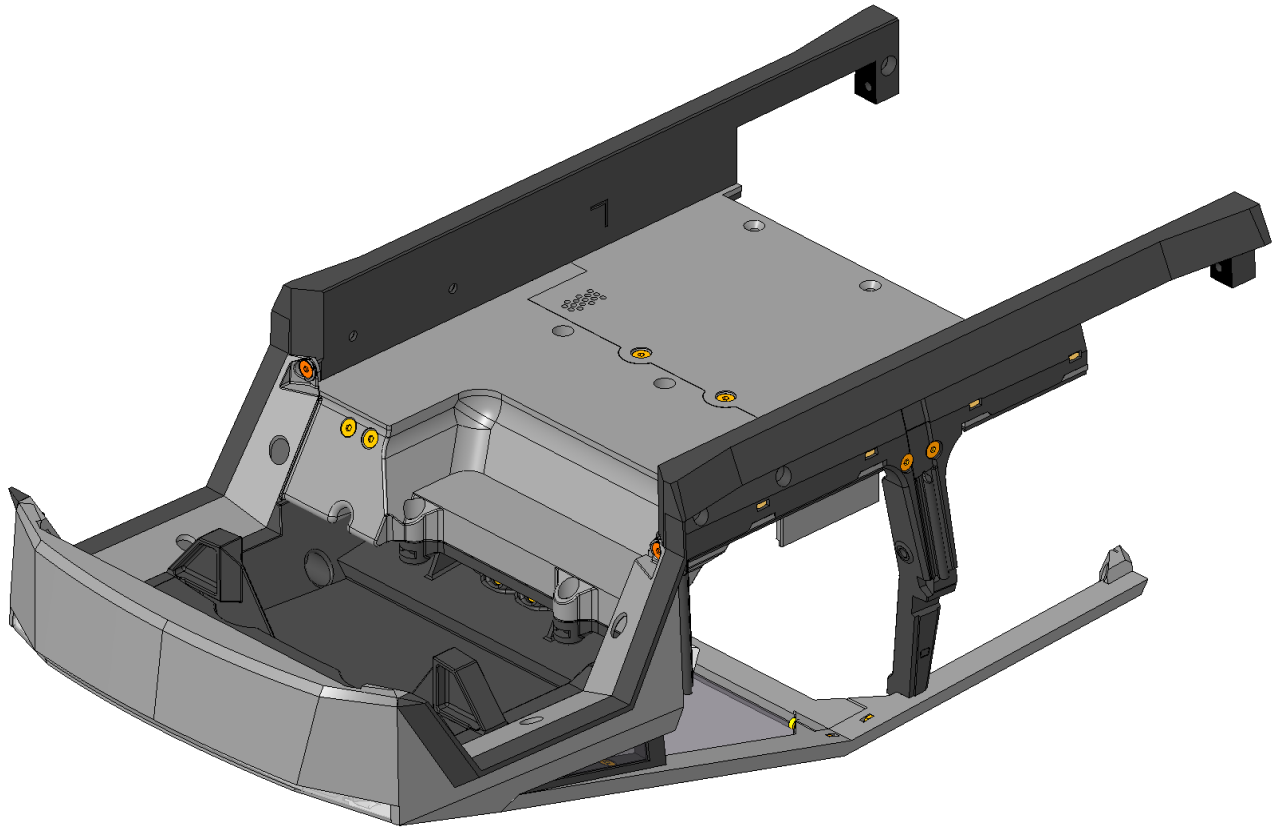
 - M3x10 Screw (2x)
 - M3x8 Screw (2x)
 - M3 Square nut (2x)
-

Sub-Steps:

- Put the M3 Square nut into the “EX_FRONT_SEAT_VERTICAL_1_L” (●) slot
 - Put the “EX_FRONT_SEAT_VERTICAL_1_L” the “EX_FRONT_SEAT_VERTICAL_2_L”, until you can press it
 - Snap together the “EX_FRONT_SEAT_VERTICAL_1_L” and “EX_FRONT_SEAT_VERTICAL_2_L”
-

Let's found the “L” markings on the parts and use that parts!

Don't forget to place the M3 Square nut in the nut, before snap-fixing!



Step 3: Front and Middle

For the following step, please prepare:

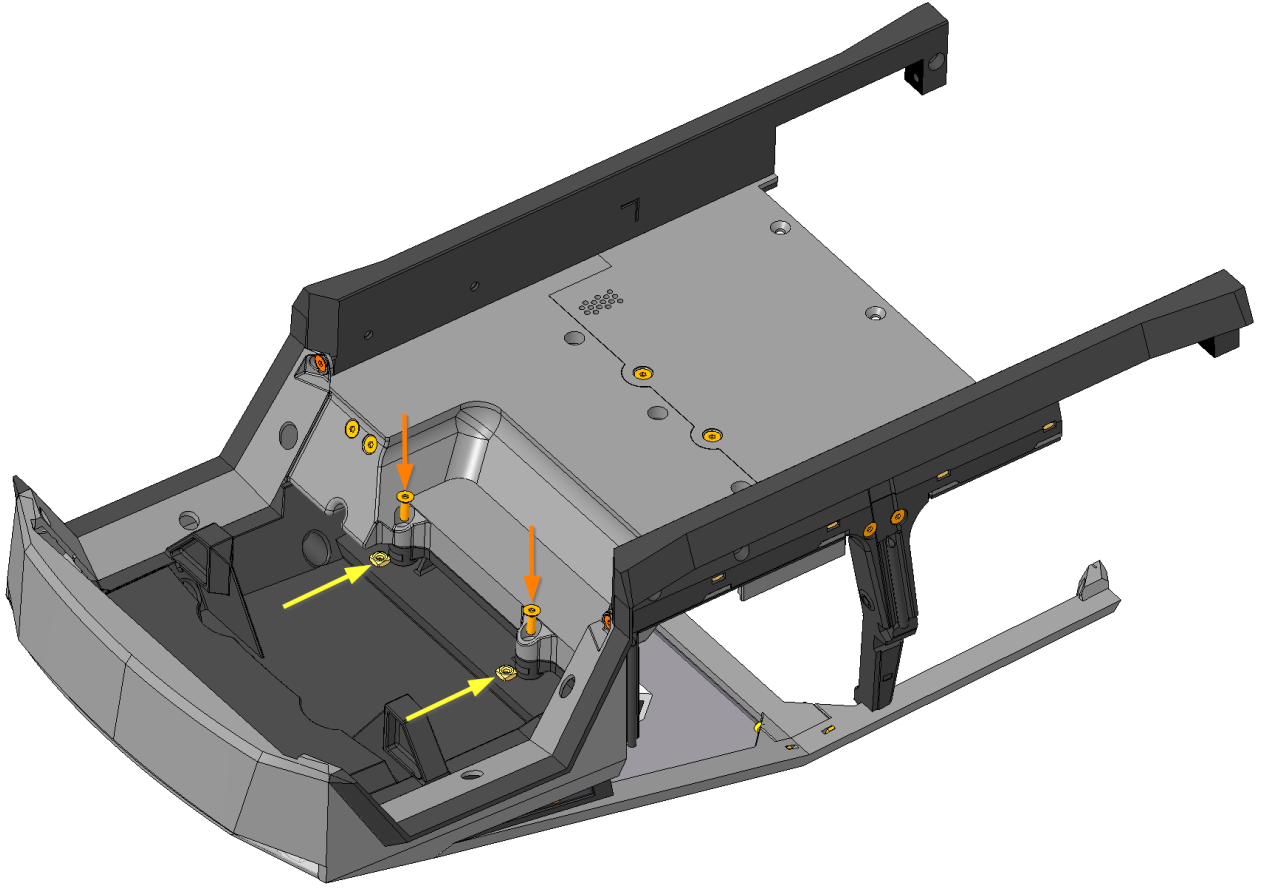
- M3x10 Screw (2x)
- M3 Square nut (2x)

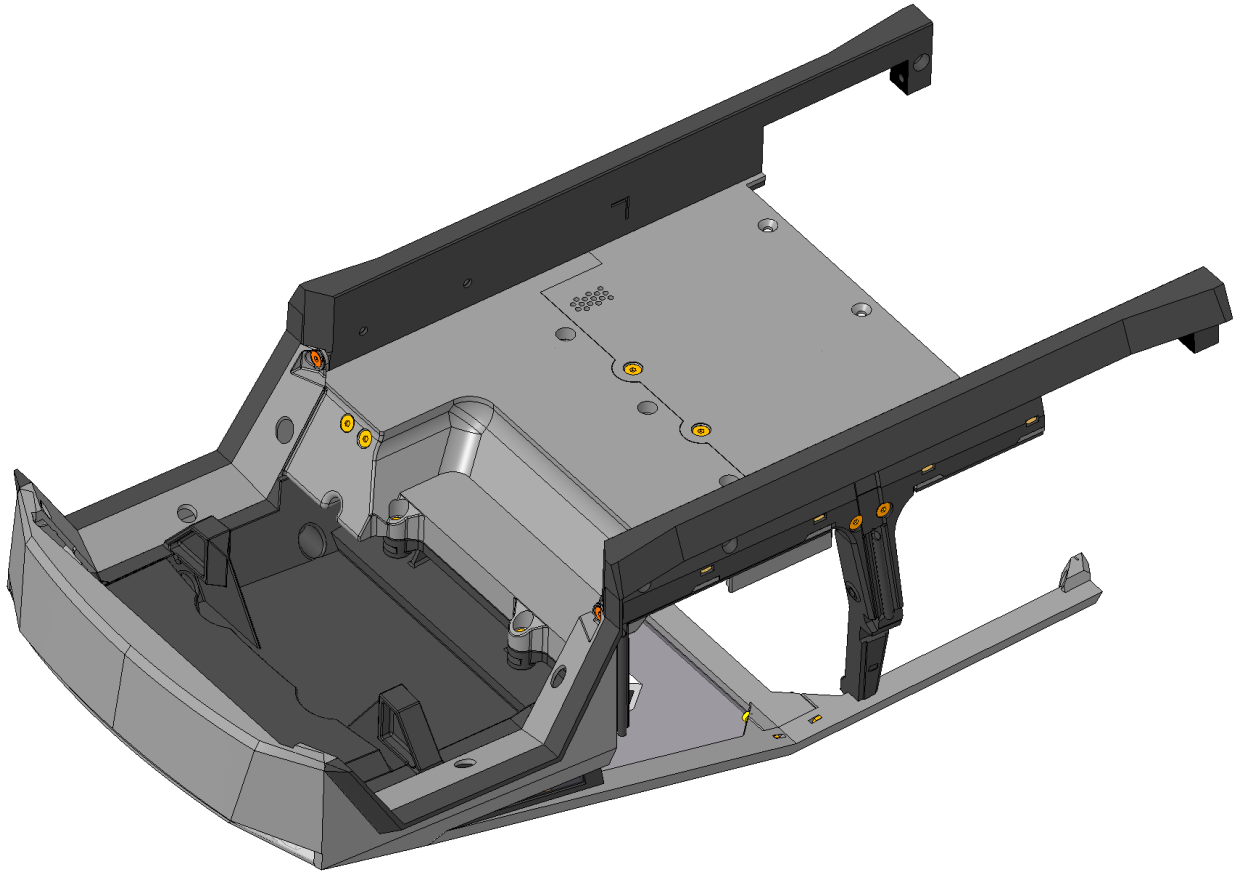
Sub-Steps:

- Put the M3 Square nut into the “EX_FRONT_SEAT_VERTICAL_1_R” (●) slot
- Put the “EX_FRONT_SEAT_VERTICAL_1_R” the “EX_FRONT_SEAT_VERTICAL_2_R”, until you can press it
- Snap together the “EX_FRONT_SEAT_VERTICAL_1_R” and “EX_FRONT_SEAT_VERTICAL_2_R”

Let's found the "R" markings on the parts and use that parts!

Don't forget to place the M3 Square nut in the nut, before snap-fixing!





Step 4: Front and Middle

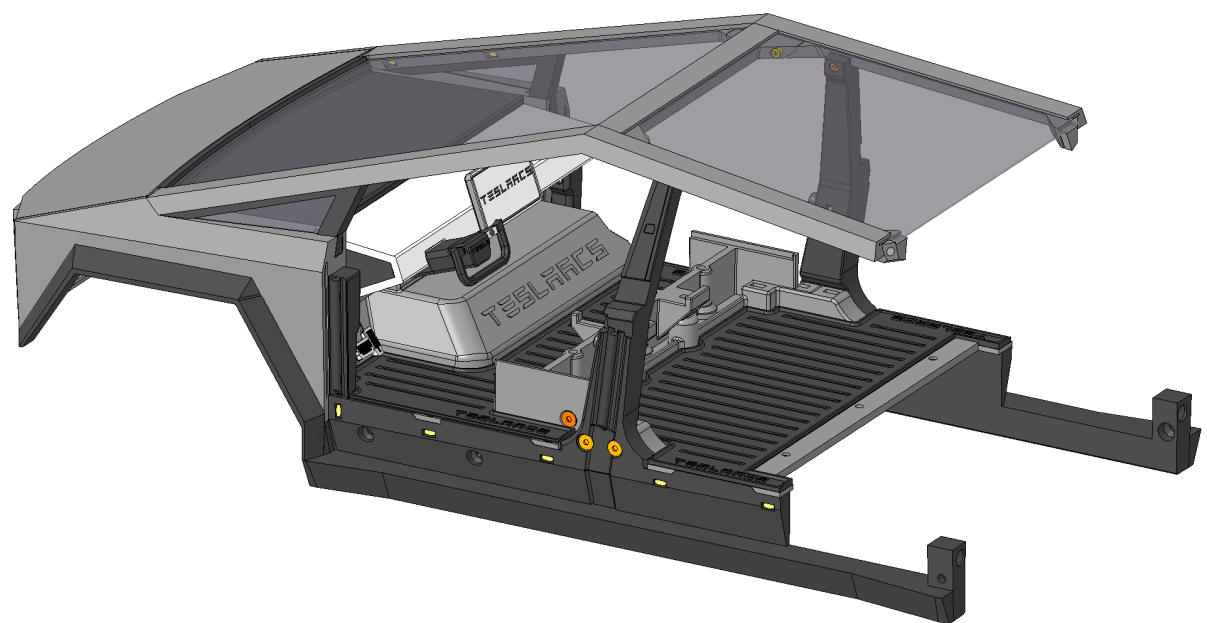
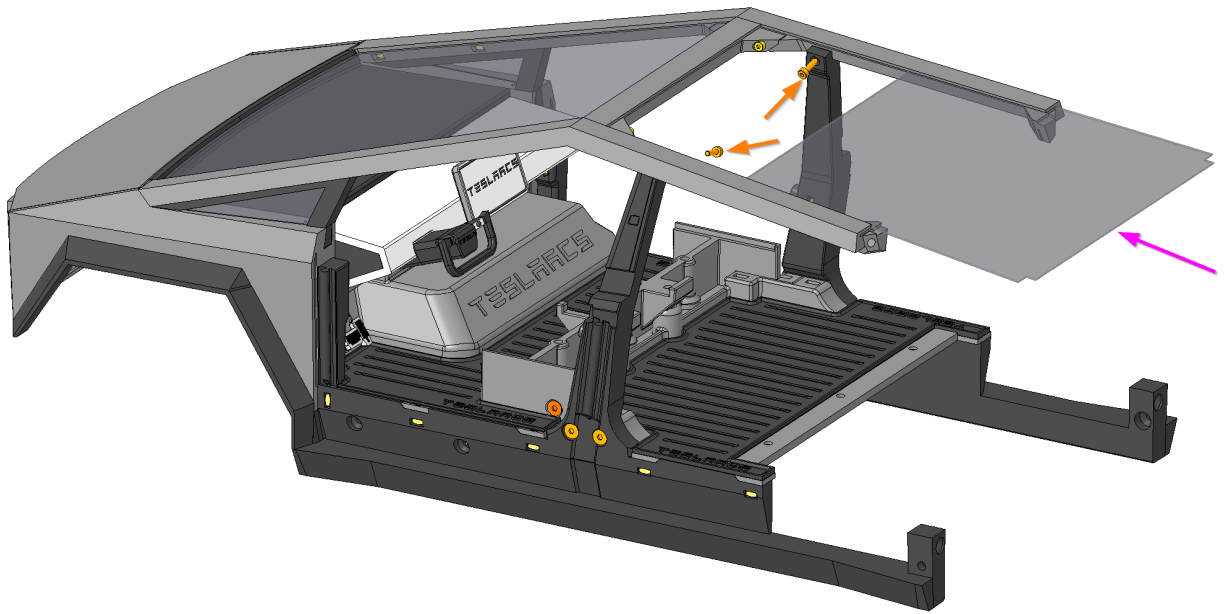
For the following step, please prepare:

- ◆ EX_Panoramic_Roof (1x)
- ◆ M2x8 Screw (2x)

Sub-Steps:

- ◆ Screw in two M2x8 Screw into the EX_B_PILLAR_L and EX_B_PILLAR_R.
- ◆ Cut the “EX_Panoramic_Roof” similar like the other transparent foils. Here [are the instructions](#) for the transparent foils cutting.
- ◆ Slide in the cutted EX_Panoramif_Roof into position

Make sure you cut the transparent foil with the highest possibility tolerances!



Step 5: Rear

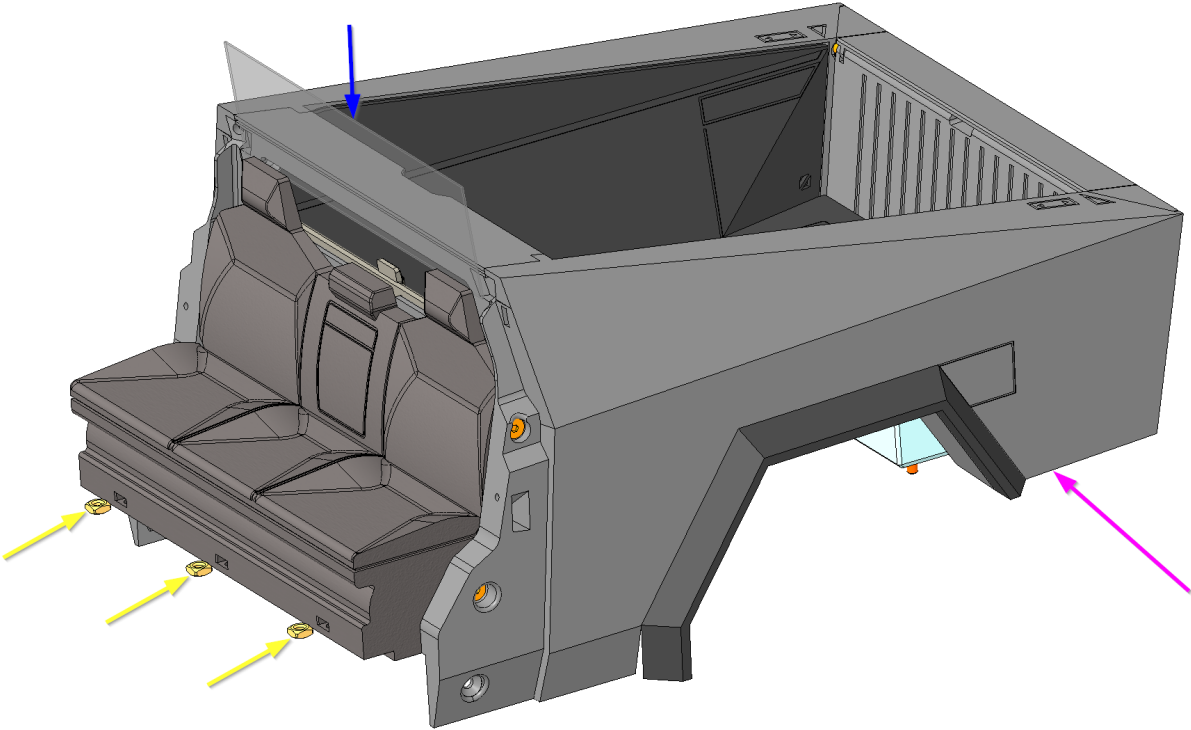
For the following step, please prepare:

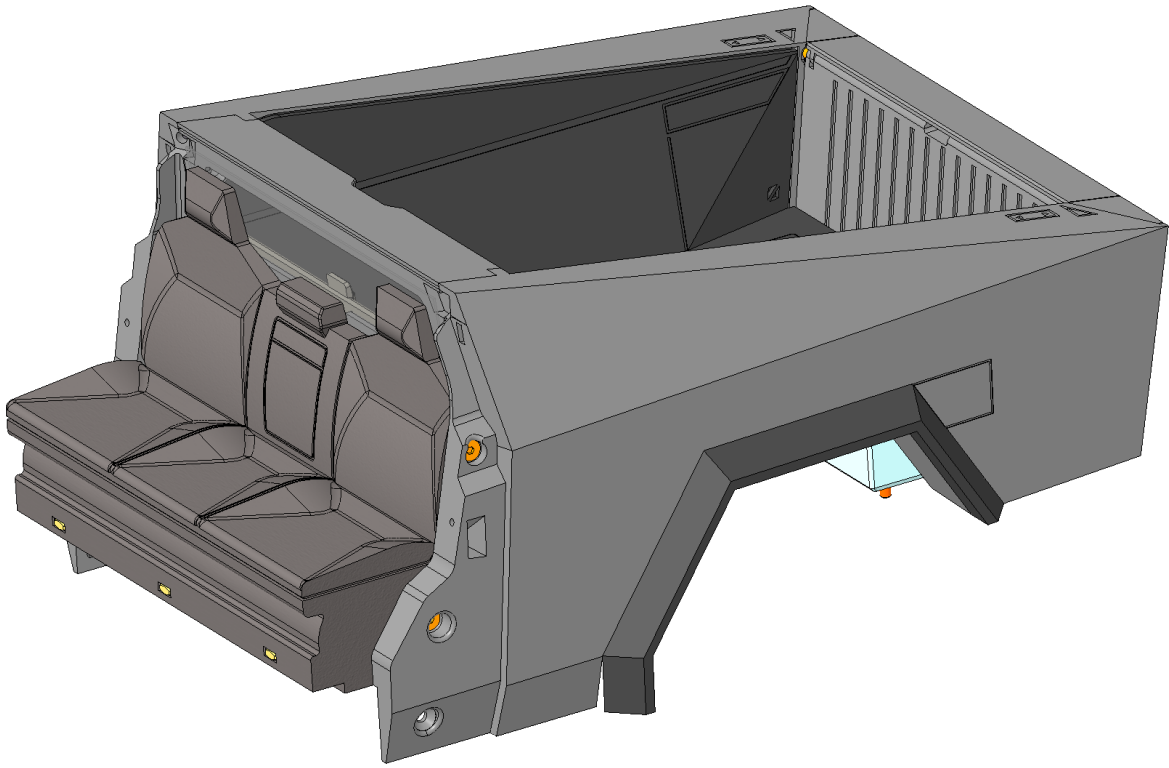
- EXOSKELETON REAR (1x)
 - M3 Square nut (3x)
 - EX_Rear_Window (1x)
-

Sub-Steps:

- Press in three M3 Square nut in the “EX_TONNEAU_COVER_HOLDER “
 - Cut the “EX_Rear_Window” similar like the other transparent foils. Here [are the instructions](#) for the transparent foils cutting.
 - Put the EX_Rear_Window into EXOSKELETON REAR (●), behind the rear seat
-

Make sure you cut the transparent foil with the highest possibility tolerances!





Step 6: Rear assembly fixing

For the following step, please prepare:

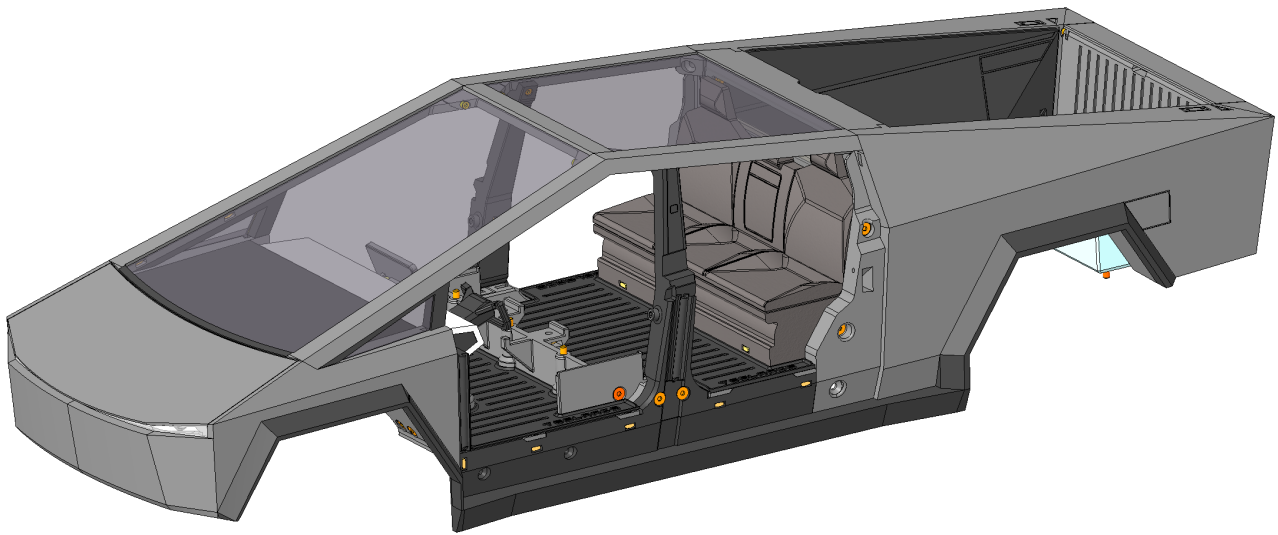
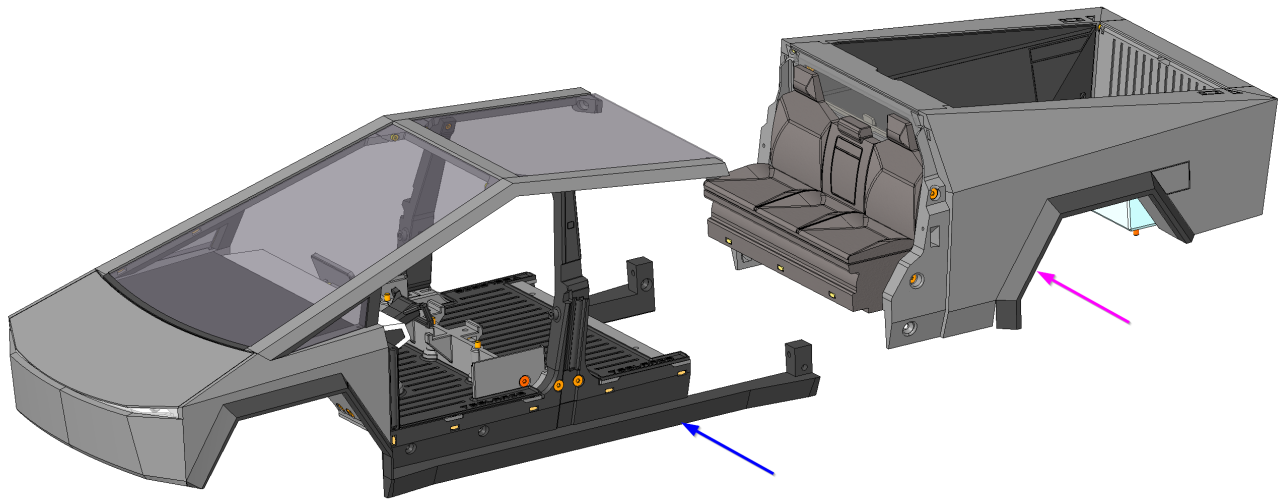
- EXOSKELETON REAR (1x)
- EXOSKELETON MIDDLE (1x)

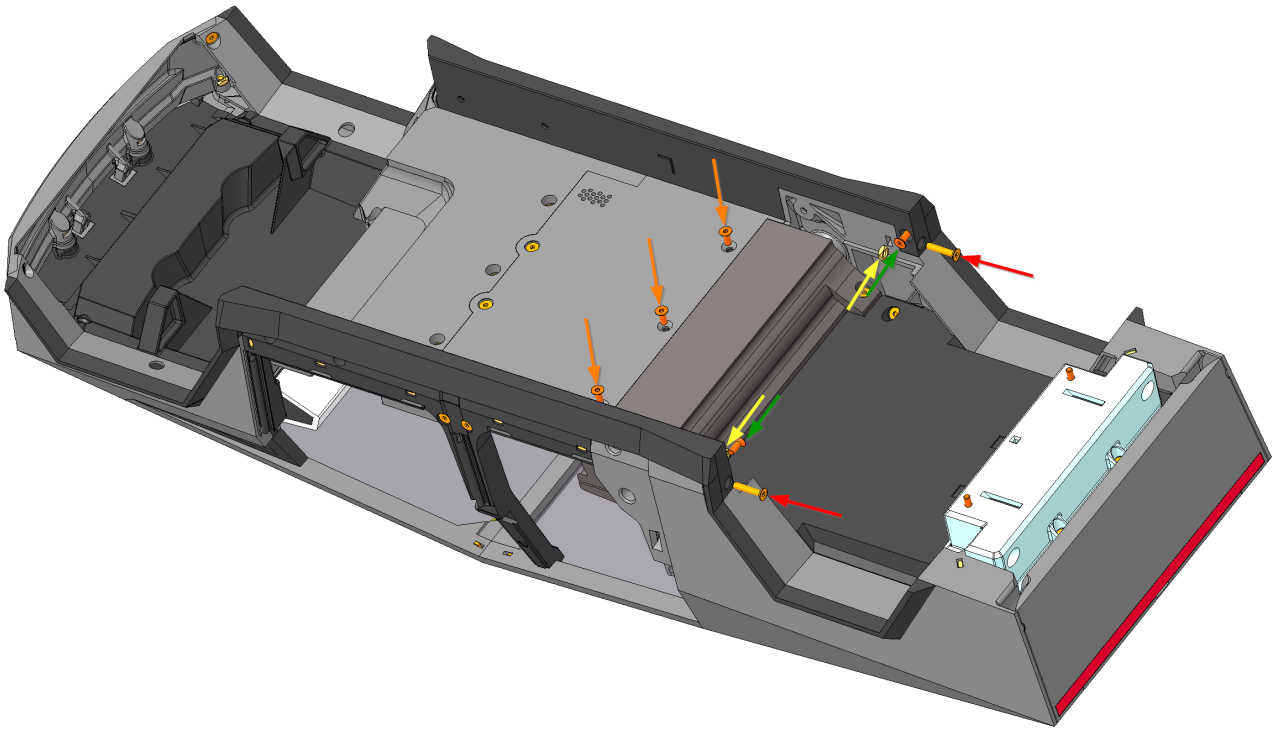
- M3x8 Screw (3x)
- M3x16 Screw (2x)
- M3x8 Screw (2x)
- M3 Square nut (2x)

Sub-Steps:

- Secure the three “EX_FRONT_SEAT_HORIZONTAL” with M3x6 Screws
 - Secure the left and right vertical seats with M3x16 Screws
-

Tighten carefully as you might break the printed parts and some hole go directly in printed plastic.





Step 7: Rear assembly fixing

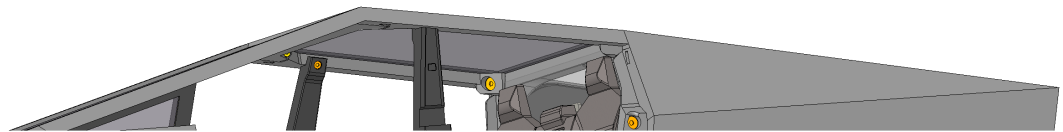
For the following step, please prepare:

- M3x12 Screw (2x)

Sub-Steps:

- Secure the three “EX_FRONT_SEAT_HORIZONTAL” with M3x6 Screws
- Secure the left and right vertical seats with M3x16 Screws

Tighten carefully as you might break the printed parts and some hole go directly in printed plastic.



Step 8: Seats assembly.

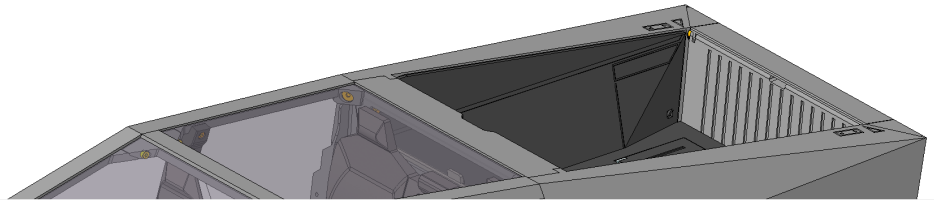
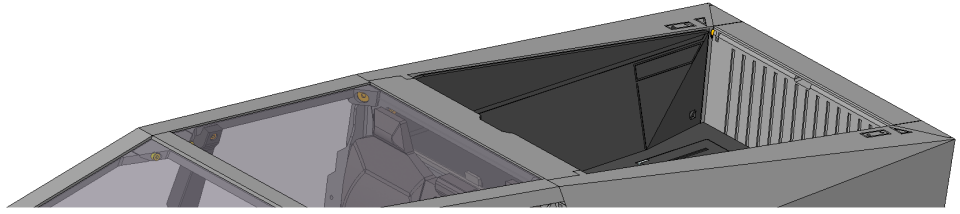
For the following step, please prepare:

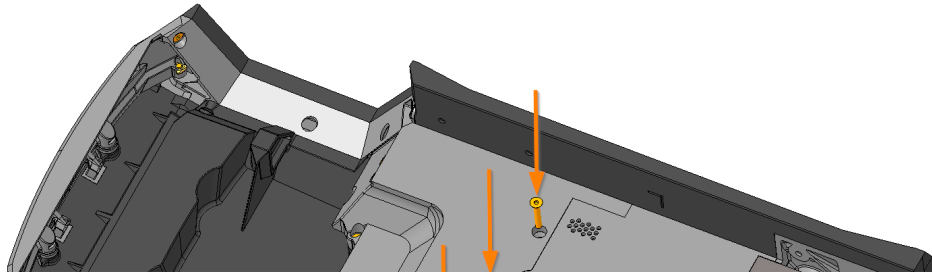
- EXOSKELETON Seats(1x)
- M3x20 Screw (3x)

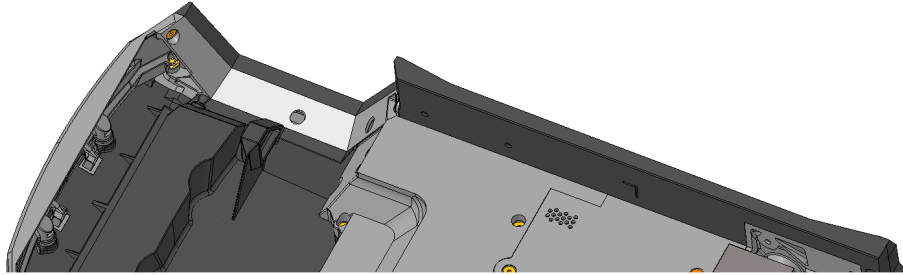
Sub-Steps:

- Secure the three “EX_FRONT_SEAT_HORIZONTAL” with M3x6 Screws
- Secure the left and right vertical seats with M3x16 Screws

Tighten carefully as you might break the printed parts and some hole go directly in printed plastic.







Step 9: Doors assembly.

For the following step, please prepare:

- Left Front Door (1x)
 - Left Rear Door (1x)

 - Right Front Door (1x)
 - Right Rear Door (1x)
-

Sub-Steps:

- Secure the three “*EX_FRONT_SEAT_HORIZONTAL*” with M3x6 Screws
 - Secure the left and right vertical seats with M3x16 Screws
-

Tighten carefully as you might break the printed parts and some hole go directly in printed plastic.

